

GIGARAILER

by REXQUOTE

The Gigarailer is Rexquote's most powerful machine range. Weighing a formidable 28-30 tonnes, fitted with heavy duty road axles, densely filled chassis weights and counterweight along with specially engineered soft foam filled super-single tyres, this machine is capable of unrivalled stability when lifting up to 15 tonnes (subject to local regulations). The purpose made chassis with extreme duty road axles married to the well-proven Terex 1604 road rail upper and in-house manufactured lightweight front-end equipment produces not only superior lifting ability, but also an accomplished digging machine.

Key Features:

- Full attachment interchangeability between the Gigarailer and the Case 988 based Superailer and Megarailer.
- Available with one or two man cab.
- Gigarailer is capable of complying with all current and expected Network Rail standards.
- Equipped to tow up to 60 tonne on suitable compatible trailers with either air or hydraulic service braking systems as an option.

Download our Product Datasheet

GIGARAILER by REXQUOTE



The Gigarailer is Rexquote's most powerful machine yet.

Weighting a formidable 30 tonnes and 33m³ with heavy duty steel rollers, heavy lift steel drums, multiple and counterweight along with specially engineered soft foot suspension system, this machine is capable of controlled stability when lifting up to 10 tonnes (subject to local regulations).

The program made obsolete with extreme duty road roller mounted to this well proven Terex 2804 road roller super and to-behave maintenance lightweight front-end equipment.

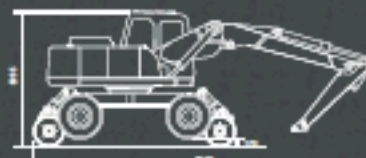



- Full attachment interchangeability between the Gigarailer and the correct machine base rollers.
- Available with new or late model soft or standard battery equipment.
- Gigarailer is capable of working with all correct and optional Material Roll standards.
- Equipped to tow 30 tonnes capacity trailers with either air or hydraulic braking systems or no system.

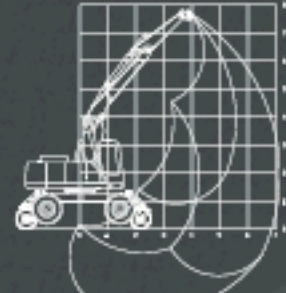




Rexquote Terex 2804 Gigarailer


Transport width (Maximum Load) Chassis Wheel Load




Reach (m)

Specifications

Chassis length	3.18 m
Width	2.82 m
Height - on all wheels	3.20 m
Height - on road wheels	3.00 m
Weight	30,000 kg
Clearance	+1.87
Maximum rated speed for use	15 mph
Maximum travel speed	22 km/h
Maximum lift (incl. working)	27.0 m (89')
Maximum lift (incl. working)	15.2 m (50')
Maximum lift (incl. working)	1.1 m (36")
Maximum travel radius	62 m
Tyre size - front/rear	330/65-20
Roll-over-protect system	
Roll-Over	Roll-Over-Protect
Roll-Over	Chassis
Rated power level (DIESEL)	151.48 (280)
Rated power level	70.48 (100)
Roll wheel diameter	1000 mm
Towing capacity	max 10,000 kg
T roller jack (max when pressure system off)	400 ton



TEREX GROUP
Canton Road, Wallasey, Wirral
Merseyside, L89 2LW, UK
Tel: +44 (0)151 75621 Fax: +44 (0)151 757156



Rexquote Limited, Southgate Business Park
Southgate, Thurston, Gloucester GL1 2QT UK
Tel: +44 (0)1292 512000 Fax: +44 (0)1292 523775
www.rexquote.co.uk info@rexquote.co.uk