

# ACCESSRAILER

by REXQUOTE

## Genie Access 225

The Genie Z60/34 (225kg) AccessRailer has a working height of 20 metres and a maximum outreach of 10.5 metres at 9 metres high. The 2.4 m by 0.9 m platform can carry two people plus tools and has a capacity of 225 kg.

The Genie AccessRailer can be travelled and controlled from the basket. The on-rail speed with the basket stowed is 14 kph and 2.3 kph when in use, i.e. when the basket is elevated. The machine can tow up to 500 kg and Rexquote have developed a special lightweight two wheeled trailer (T12) uniquely designed to work with the Genie making it even more versatile.

Safety features include an Emergency Descent System, emergency stop, tilt alarm and automatic basket levelling. The machine is CE marked and has been independently tested and approved to EN280. It is fully compliant with RIS1530 PLT.

### Download our Product Datasheet



# ACCESSRAILER BY REXQUOTE



The Genie Access Railer is the latest model in Rexquote's comprehensive range of access equipment.

The Genie 22524 Access Railer has a working height of 22.5 metres and an outreach of 10 metres. The 3.0m by 0.7m wide platform can carry two people plus tools and has a capacity of 225 kg. The Genie Access Railer can be controlled and controlled from the basket.

The unit will travel with the basket raised to 1.5 high and 2.2 when in use, so when the basket is lowered.

The machine can tow up to 1200 kg total. Rexquote have developed a special lightsight for enhanced visibility designed to work with the Genie working in areas inaccessible.

Safety features include an Emergency Stop, Speed monitoring, slip alarm and automatic basket leveling.

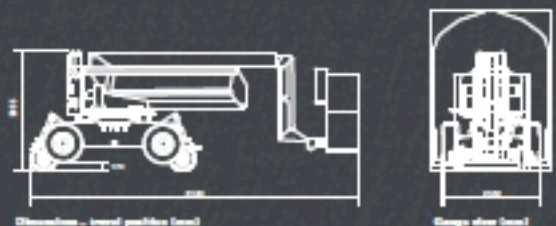
The machine is CE marked and has been independently tested and approved in EN300. It is fully compliant with EN15713 PC2.

## Genie Access Railer




# REXQUOTE

## Rexquote Genie Access Railer




Dimensions - Internal platform (mm)

Dimensions - External (mm)

### Specifications

Working height	22.5 m
Platform height	18.5 m
Working outreach	10.0 m
Platform capacity	225 kg
Platform size	3.0 m x 0.7 m
Platform area	2.10 m <sup>2</sup>
Width	2.000 m
Height - on road wheels - platform raised	2.250 m
Height - on road wheels - platform lowered	2.750 m
Clearance height - platform raised	8.10 m
Weight	17,000 kg
Maximum forward speed	1.0 km/h
Max. road speed - platform raised or lowered	2.2 km/h
Maximum roll-over - handling	300 mm (3°)
Maximum roll-over - working	300 mm (3°)
Maximum roll gradient	1 in 200
Maximum cross gradient	1 in 4
Minimum curve radius	30 m
Towing capacity	1,000 kg
Tail wheel diameter	1,000 mm



## REXQUOTE

Rexquote Limited, Development Business Park, Bishop-Cleeve, Totton, Hampshire SO4 5DQ, UK  
Tel: +44 (0)1329 433280 Fax: +44 (0)1329 433283 www.rexquote.co.uk info@rexquote.co.uk