

ACCESSRAILER

by REXQUOTE

Genie Accessrailer

The Genie Z60/34 (300kg) Accessrailer now benefits from hydrostatic rail drive with brakes on all four wheels. It has a working height of 11.2 metres and an outreach of 11 metres – 9 metres at full height. The optional 2.4 m by 0.9 m platform can carry two people plus tools and has a capacity of 300 kg.

The Genie Accessrailer can be travelled and controlled from the basket. The on-rail speed with the basket stowed is 16 kph and 4 kph when in use, i.e. when the basket is elevated. The machine can tow up to 500 kg and Rexquote have developed a special lightweight two wheeled trailer (T12) uniquely designed to work with the Genie making it even more versatile.

PLC control with colour display screen can assist with fault finding when switching errors occur as status is displayed on screen. Each machine is equipped with modem for remote access so Rexquote can assist if required. Warranty period is two years on this product and remote support option can be purchased as part of an ongoing support contract when warranty expires.

Safety features include an Emergency Descent System, emergency stop, tilt alarm and automatic basket levelling. The machine is CE marked and has been independently tested and approved to EN280. It is fully compliant with RIS1530 PLT.

Download our Product Datasheet



REXQUOTE

Genie Accessrailer 300



The Genie Accessrailer 300 has a maximum height of 11.20 m, a maximum platform width of 1.20 m and a maximum weight capacity of 300 kg. It is a self-propelled boom lift with a maximum height of 11.20 m, a maximum platform width of 1.20 m and a maximum weight capacity of 300 kg. It is a self-propelled boom lift with a maximum height of 11.20 m, a maximum platform width of 1.20 m and a maximum weight capacity of 300 kg.

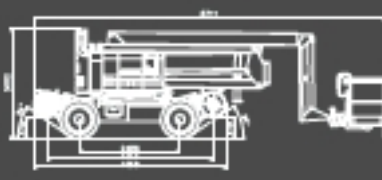
The Genie Accessrailer 300 is a self-propelled boom lift with a maximum height of 11.20 m, a maximum platform width of 1.20 m and a maximum weight capacity of 300 kg. It is a self-propelled boom lift with a maximum height of 11.20 m, a maximum platform width of 1.20 m and a maximum weight capacity of 300 kg.

The Genie Accessrailer 300 is a self-propelled boom lift with a maximum height of 11.20 m, a maximum platform width of 1.20 m and a maximum weight capacity of 300 kg. It is a self-propelled boom lift with a maximum height of 11.20 m, a maximum platform width of 1.20 m and a maximum weight capacity of 300 kg.


The Genie Accessrailer 300 is a self-propelled boom lift with a maximum height of 11.20 m, a maximum platform width of 1.20 m and a maximum weight capacity of 300 kg. It is a self-propelled boom lift with a maximum height of 11.20 m, a maximum platform width of 1.20 m and a maximum weight capacity of 300 kg.




Rexquote Genie Accessrailer 300



Dimensions - retracted position (mm)



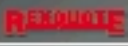
Gauge view (mm)



Reach (m)

Specifications

Working height	11.20 m
Platform height	1.20 m
Working width	1.20 m
Platform capacity	300 kg
Platform size	1.20 m x 1.20 m
Platform width	1.20 m
Weight	2.10 m
Height - at full extension - platform raised	11.20 m
Height - at full extension - platform lowered	10.00 m
Reach - length - platform raised	10.00 m
Reach - length - platform lowered	1.20 m
Weight	2.10 m
Weight - max. load	300 kg
Weight - max. load - platform raised	300 kg
Weight - max. load - platform lowered	300 kg
Weight - max. load - platform raised	300 kg
Weight - max. load - platform lowered	300 kg
Weight - max. load - platform raised	300 kg
Weight - max. load - platform lowered	300 kg
Weight - max. load - platform raised	300 kg
Weight - max. load - platform lowered	300 kg
Weight - max. load - platform raised	300 kg
Weight - max. load - platform lowered	300 kg



Rexquote Ltd, 1000 High Street, London, E15 1JH, UK
Tel: +44 (0)20 820 0000 Fax: +44 (0)20 820 0000 www.rexquote.co.uk info@rexquote.co.uk